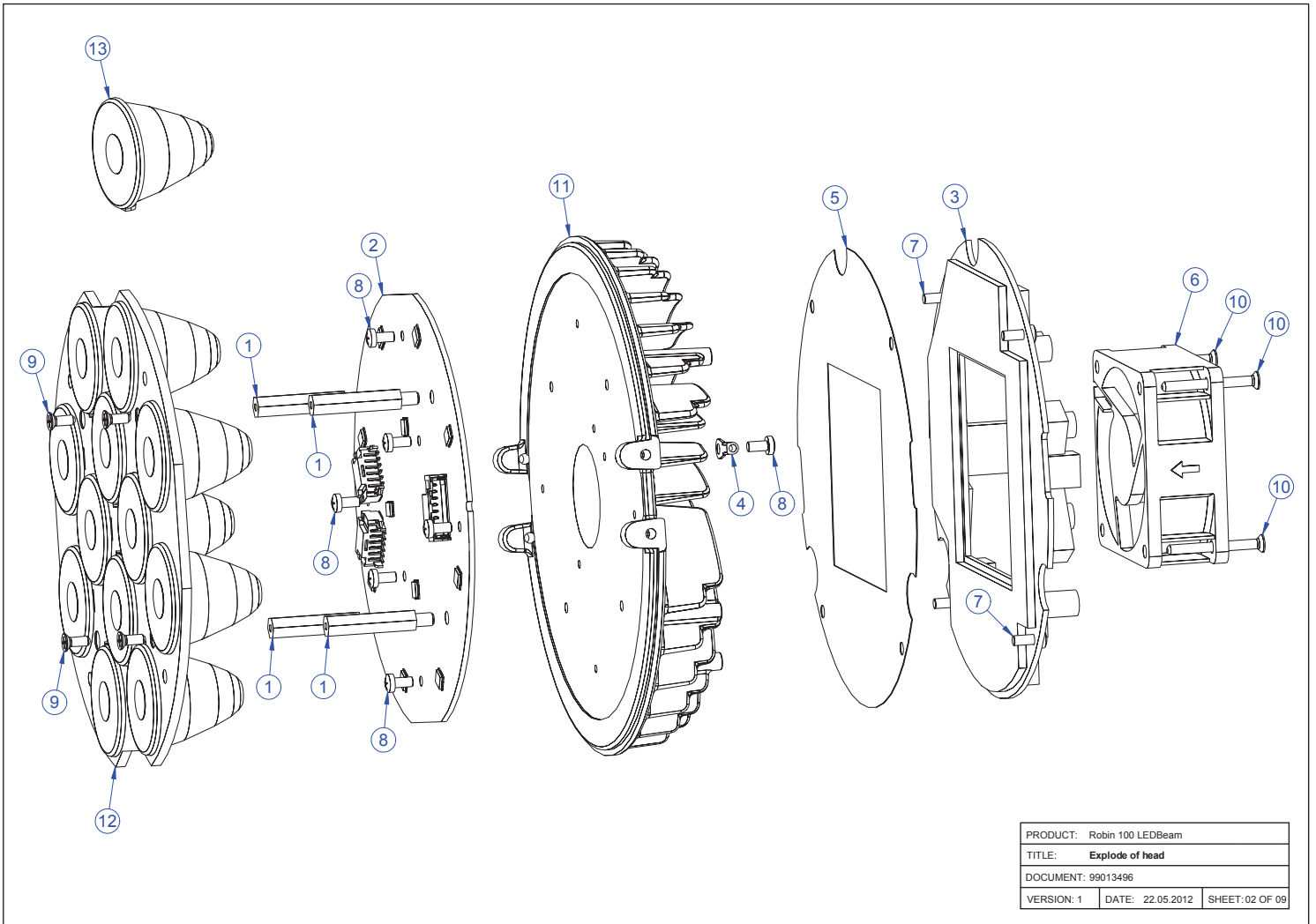
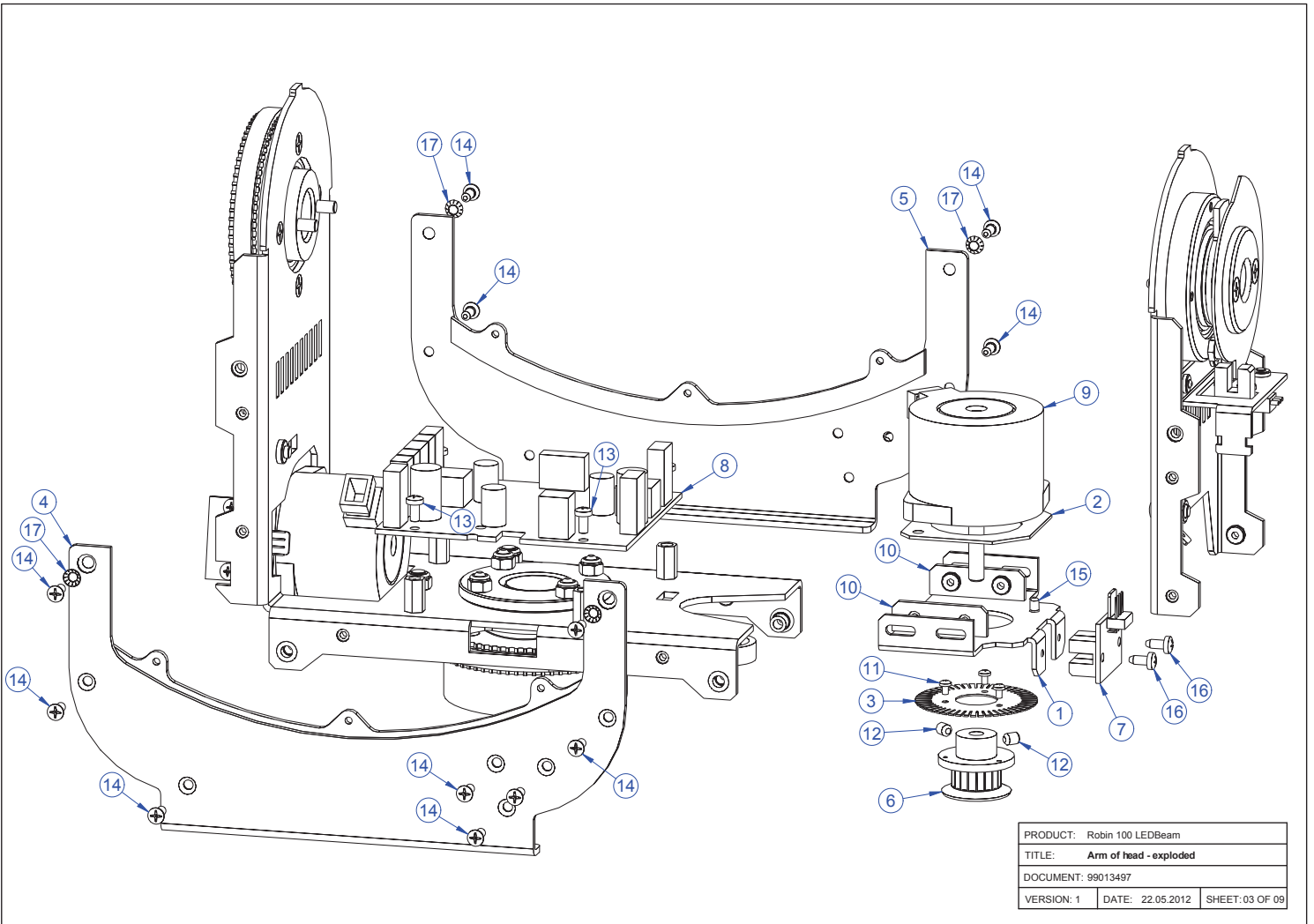
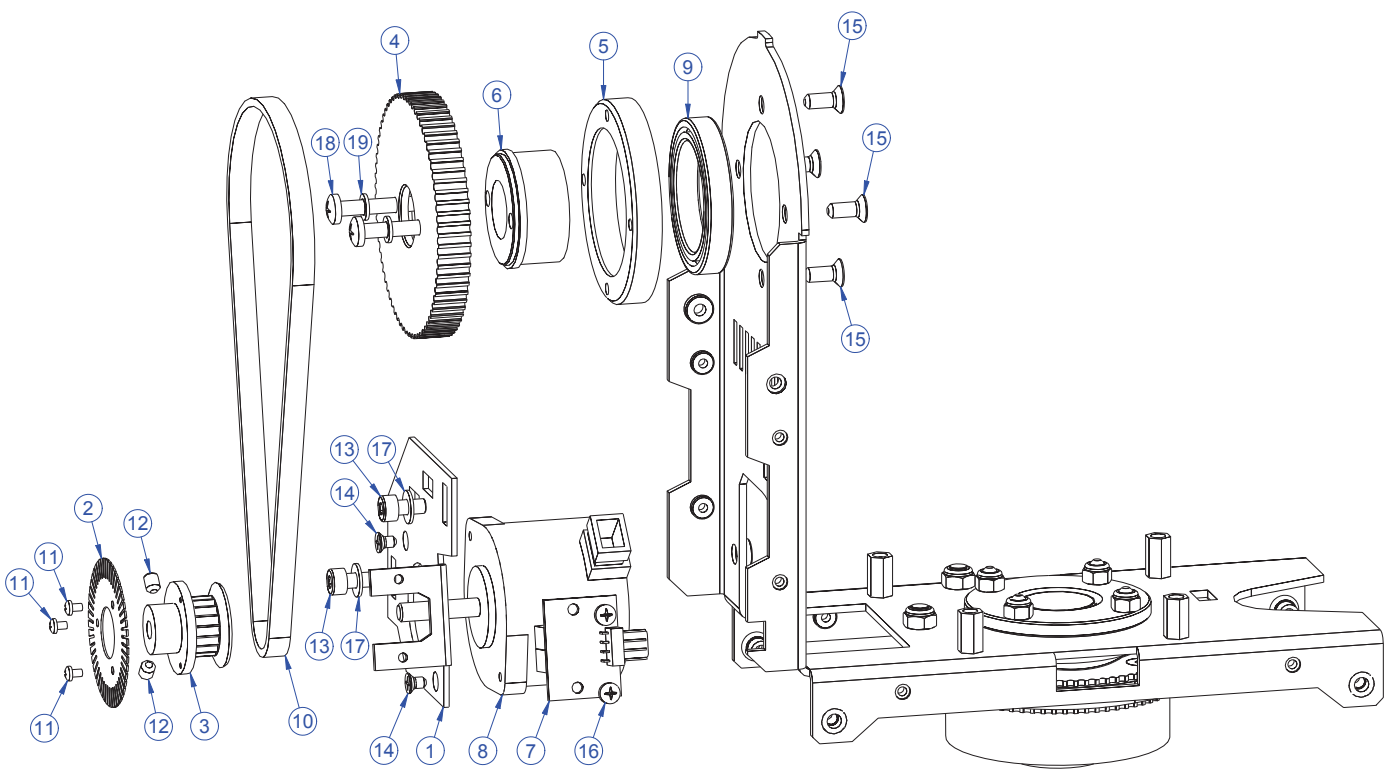


PRODUCT: Robin 100 LEDBeam		
TITLE: Covers		
DOCUMENT: 99013495		
VERSION: 1	DATE: 22.05.2012	SHEET: 01 OF 09

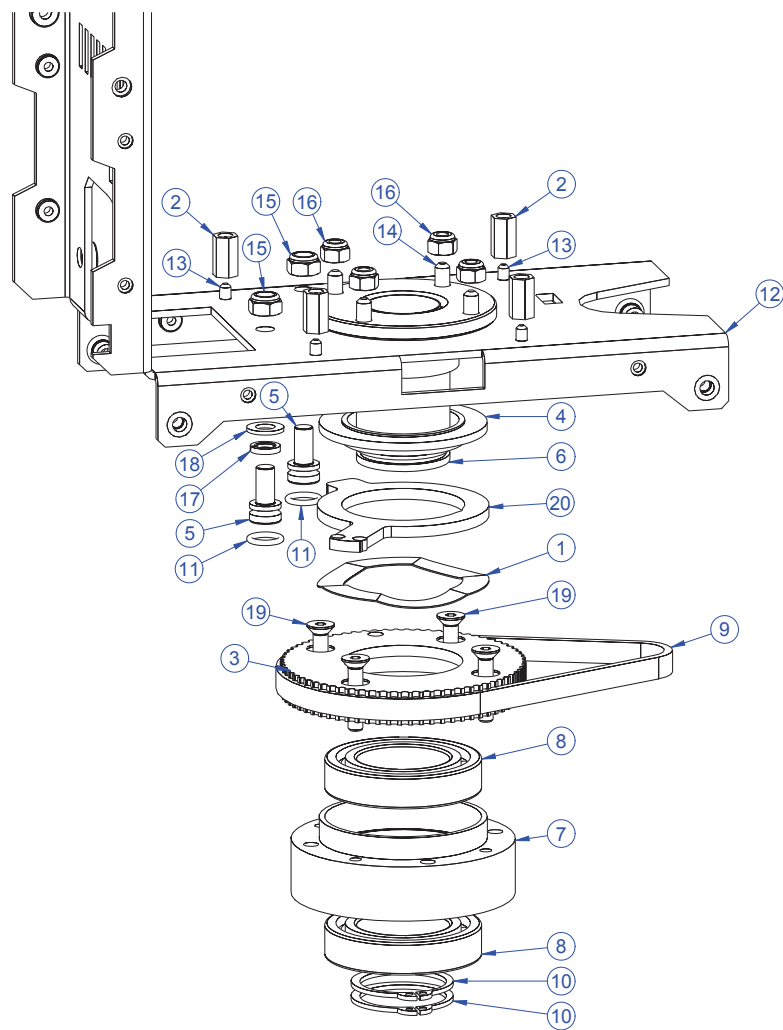


PRODUCT: Robin 100 LEDBeam		
TITLE: Explode of head		
DOCUMENT: 99013496		
VERSION: 1	DATE: 22.05.2012	SHEET: 02 OF 09

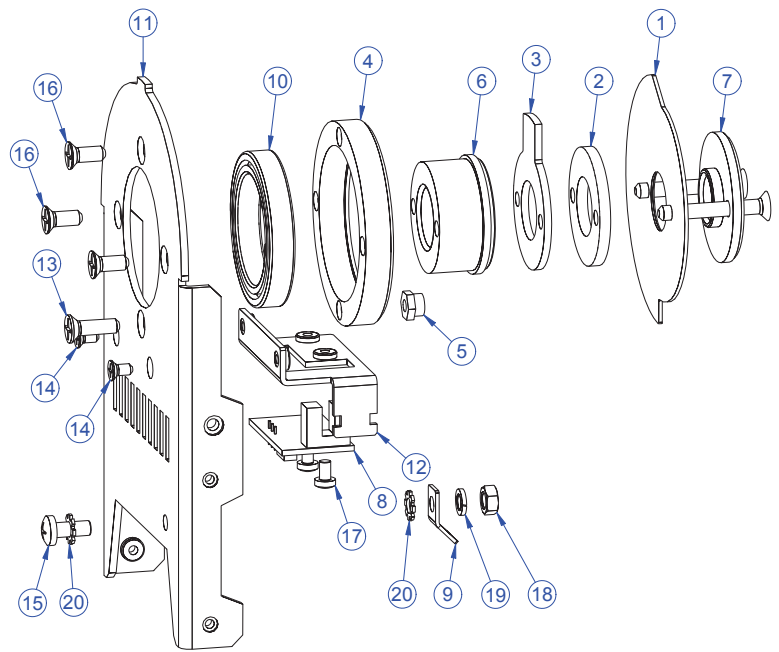




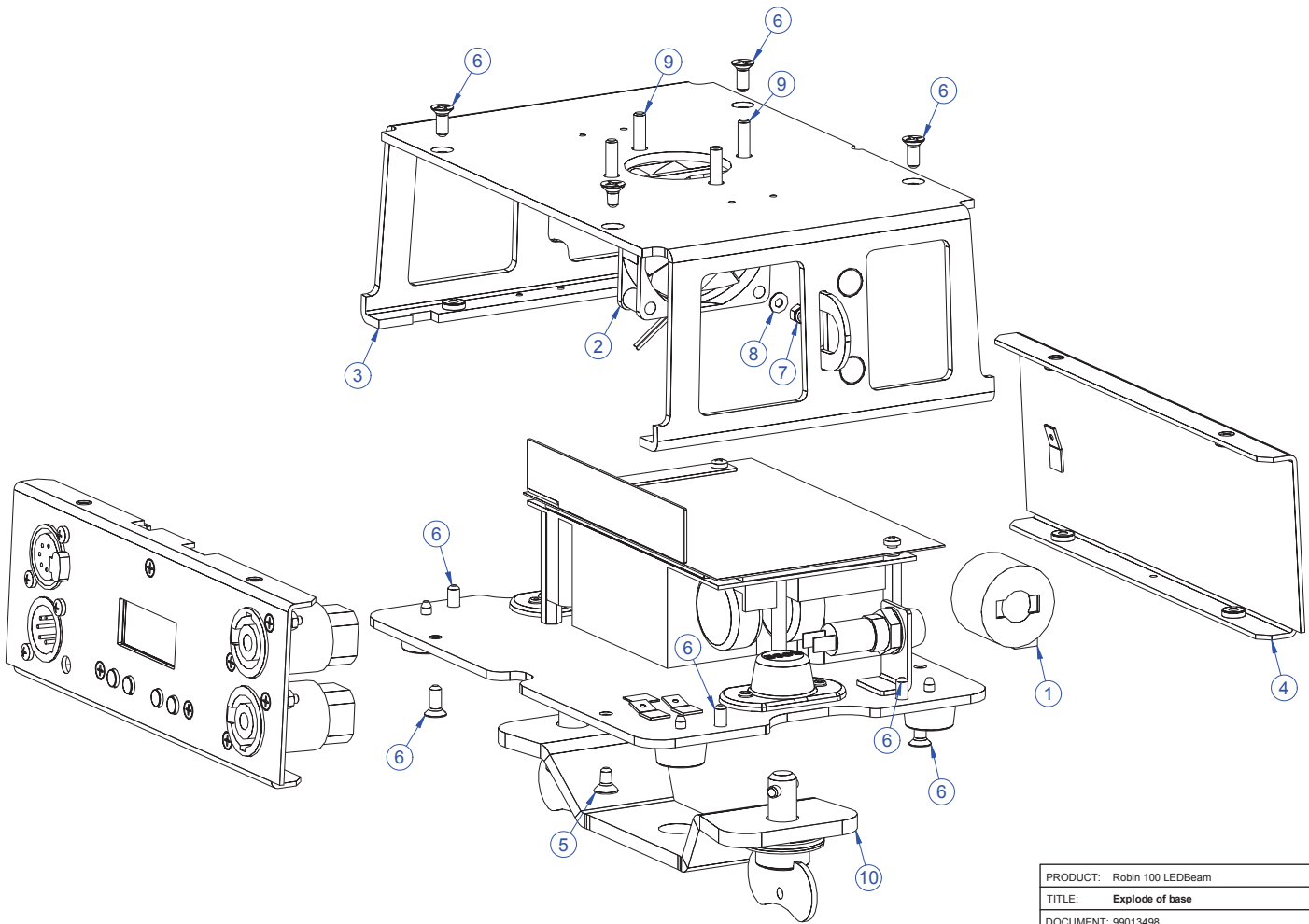
PRODUCT: Robin 100 LEDBeam		
TITLE: Holder of axes - part 1		
DOCUMENT: 99013497		
VERSION: 1	DATE: 22.05.2012	SHEET: 04 OF 09



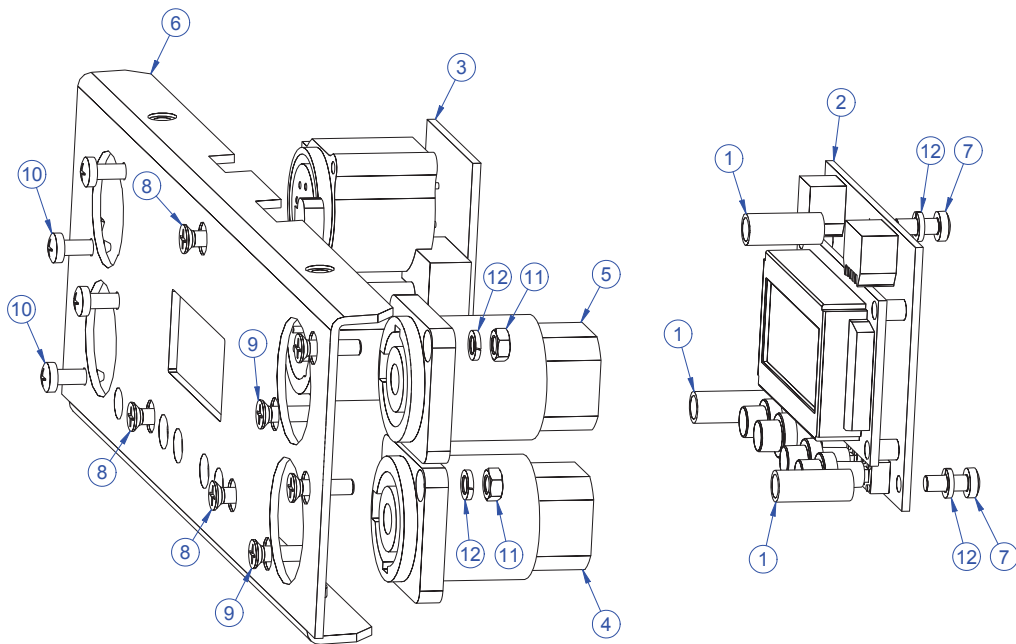
PRODUCT: Robin 100 LEDBeam		
TITLE: Holder of axes - part 2		
DOCUMENT: 99013497		
VERSION: 1	DATE: 22.05.2012	SHEET: 05 OF 09



PRODUCT: Robin 100 LEDBeam		
TITLE: Arm of axe "Y" - exploded		
DOCUMENT: 99013497		
VERSION: 1	DATE: 22.05.2012	SHEET: 06 OF 09

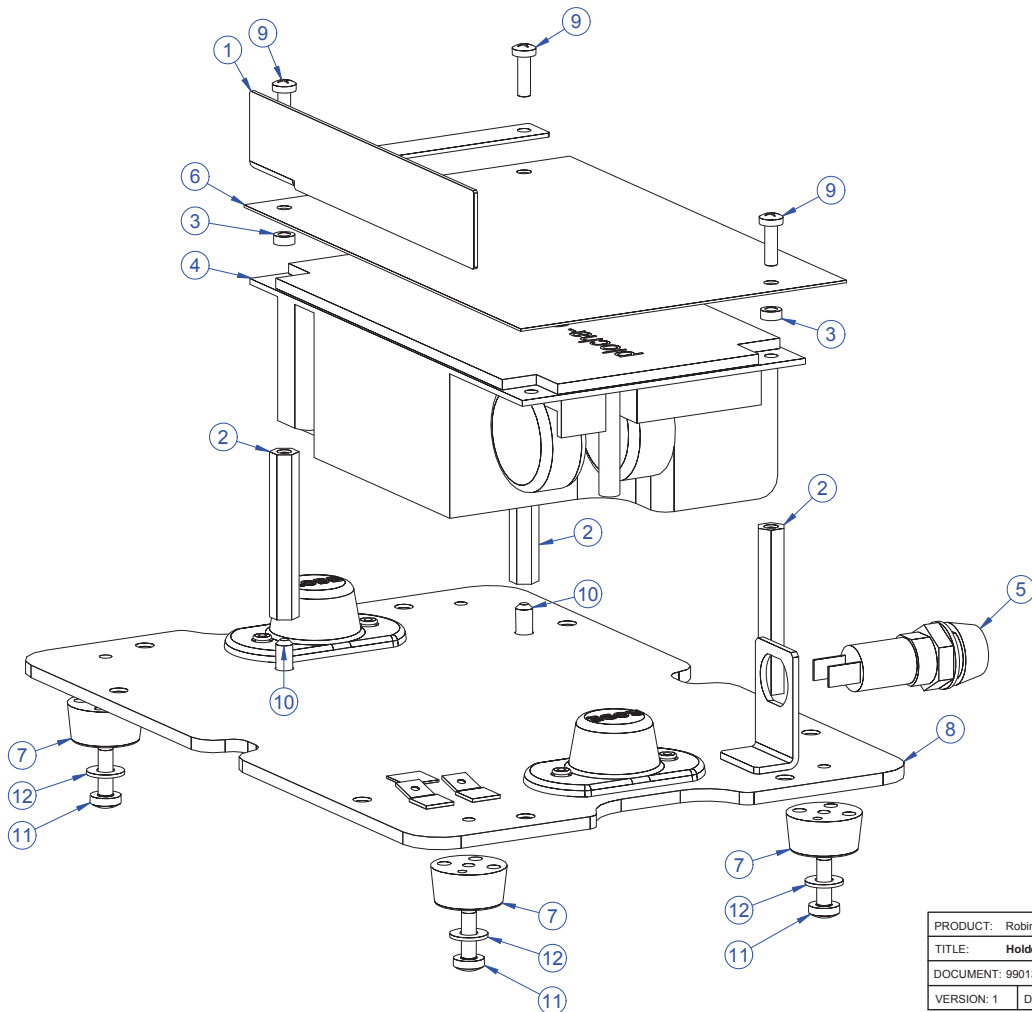


PRODUCT: Robin 100 LEDBeam		
TITLE: Explode of base		
DOCUMENT: 99013498		
VERSION: 1	DATE: 22.05.2012	SHEET: 07 OF 09



PRODUCT: Robin 100 LEDBeam		
TITLE: Panel of connectors		
DOCUMENT: 99013515		
VERSION: 1	DATE: 22.05.2012	SHEET: 08 OF 09





PRODUCT: Robin 100 LEDBeam		
TITLE: Holder of power supply		
DOCUMENT: 99013516		
VERSION: 1	DATE: 22.05.2012	SHEET: 09 OF 09